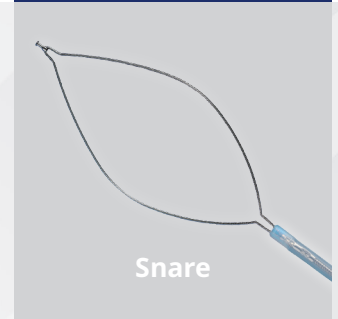


SOUTEN

KANEKA
MEDICAL
PRODUCTS

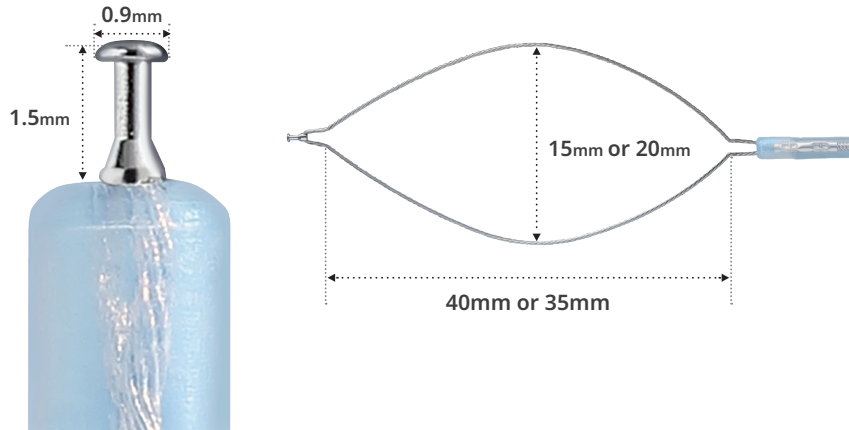
Hybrid ESD Knife with Snare

- Two-in-One Device
- Nailhead Shaped Tip
- Rotatable Snare



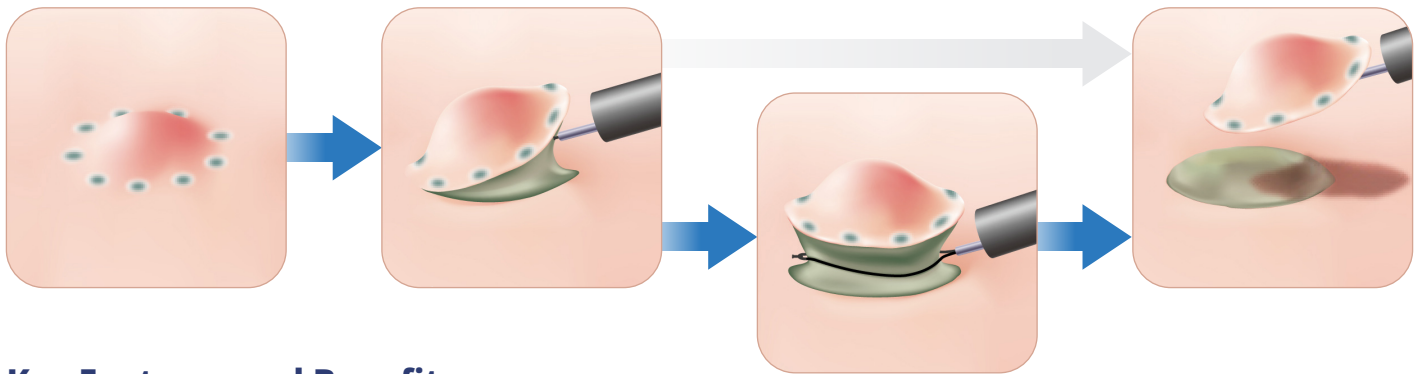
Two-in-One! Combination of ESD Knife and Snare

SOUTEN can help physicians perform ESD procedure faster and more easily than the conventional method.



How do I use SOUTEN in order to perform Hybrid ESD?

SOUTEN can help physicians to mark with a nailhead shaped tip and dissect submucosa easily with rotatable snare.



Key Features and Benefits

#SOUTEN

- #Two_in_One
- #Nailhead_Shaped_Tip
- #Rotatable_Snare
- #Safe
- #Quick

Additionally, this newly developed, multifunctional snare seems suitable for hybrid ESD for the following reasons. (1) A nailhead shaped tip enables circumferential incision and submucosal dissection in all directions. (2) The length of the needle-knife can be locked, eliminating the need to maintain the cutting wire length during the procedure. (3) The loop is firm enough to prevent snare slippage. Together with its cost effectiveness, this device may help to promote the application of hybrid ESD in clinical practice.

In conclusion, hybrid ESD using a multifunctional snare enables easy, safe, and cost-effective resection of relatively large colorectal tumors to be achieved.

* Ohata, Ken, et al. "Usefulness of a multifunctional snare designed for colorectal hybrid endoscopic submucosal dissection (with video)." Endoscopy international open 6.02 (2018): E249-E253.

Ordering Information

* Usable Sheath Length : 1,950mm
* Usable Knife Length : 2mm

Product Code	Knife Diameter	Knife Length	Snare Diameter	Snare Length	Sheath Length	Working Channel	Rotation Function
ST1850	0.9mm	1.5mm	15mm	40mm	1,850mm	2.4mm	Available
ST1850-20			20mm	35mm			

*Please refer to IFU before use